

# A Planning Guide for Accessible Restrooms

*An Introduction to Basic ADA Requirements  
and Bobrick's ADA-Compliant Products*

30 x 48  
760 x 1220  
Clear floor space  
at lavatory

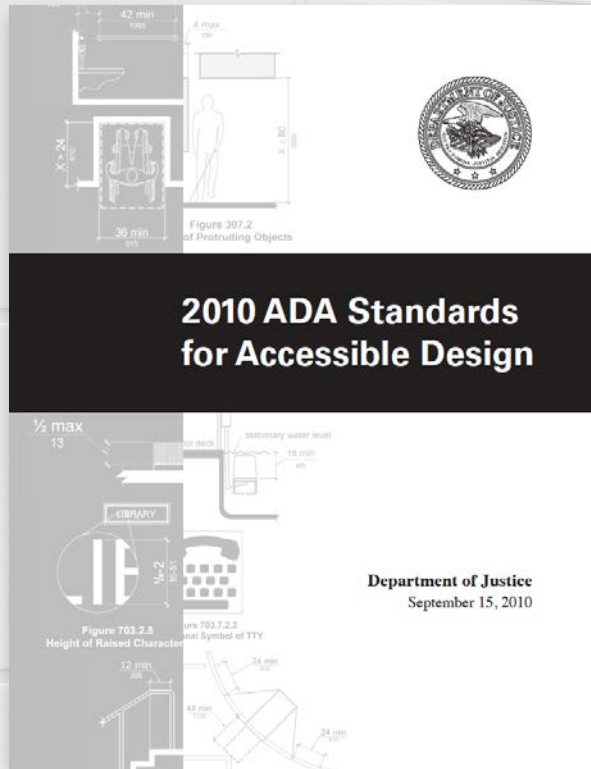
Vertical grab bar



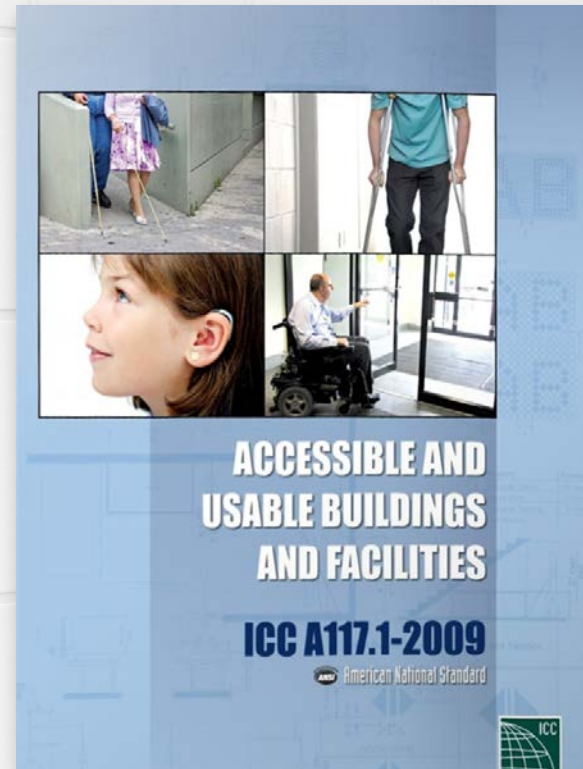
BUILDING VALUE SINCE 1906

A free copy of this guide is available at [bobrick.com](http://bobrick.com)

## 2010 ADA Standards



## 2009 ICC/ANSI Standards



- When working on projects with ADA, ICC A117.1 and state accessibility standards, the most stringent of the standards should be followed

# Essential Bobrick Amenities for Satisfying Occupant Needs & Code Requirements



Bobrick's SureFlo® Automatic Soap Dispensers can be activated from a wheelchair



Bobrick's ADA-compliant vendor is the only model to unquestionably meet ADA Guidelines



Bobrick's recessed accessories conform to protruding objects guidelines

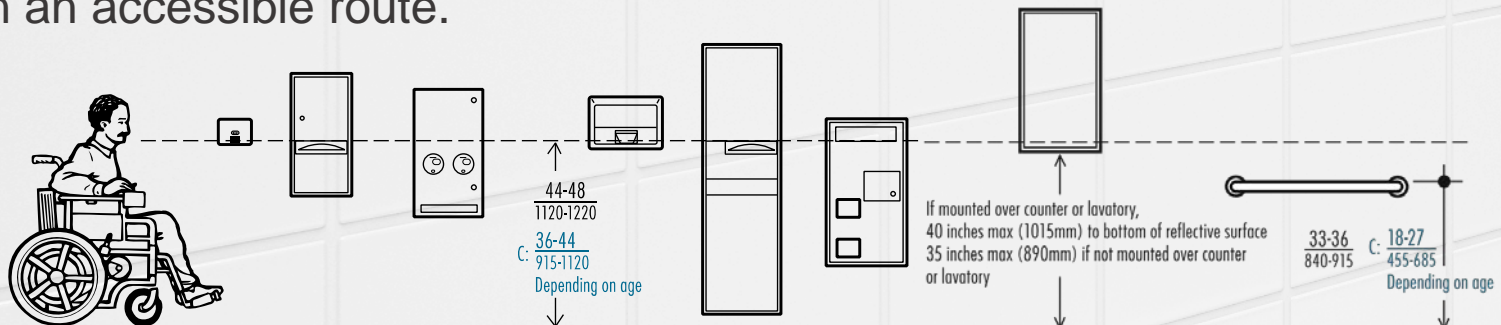


Bobrick's grab bars meet ADA-compliant layouts



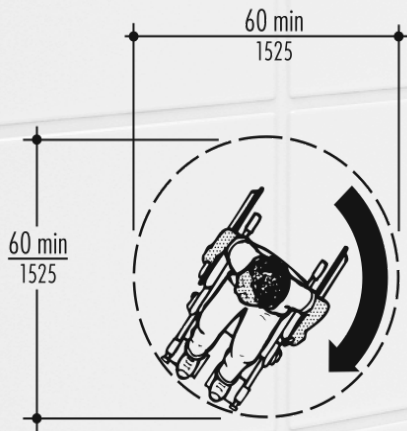
# Mounting Heights

- “Operable parts” of accessories other than toilet tissue dispensers no more than 48" above the floor.
- Operable portions of toilet tissue dispensers to no lower than 15".
- Where accessories are mounted above an obstruction, they must be located between 44" and 48".
- Account for side and forward approach.
- Position one set of each type of dispenser outside the toilet compartment, on an accessible route.

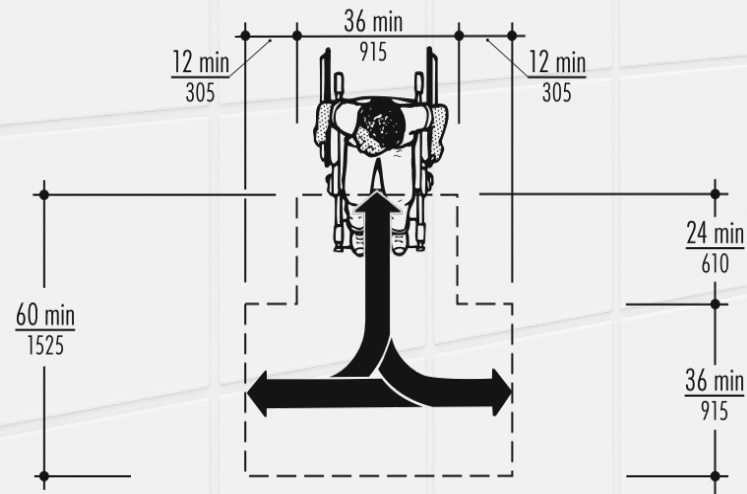


# Turning Spaces

- Circular turning space
  - Allows 180-degree or 360-degree turn
- T-shaped turning space
  - Allows 3-point turn
  - Can conserve space
- Portion of 60" space can be under fixtures, lavatories or accessories as long as knee and toe clearance is provided.



60" Diameter Turning Space



T-Shaped Turning Space

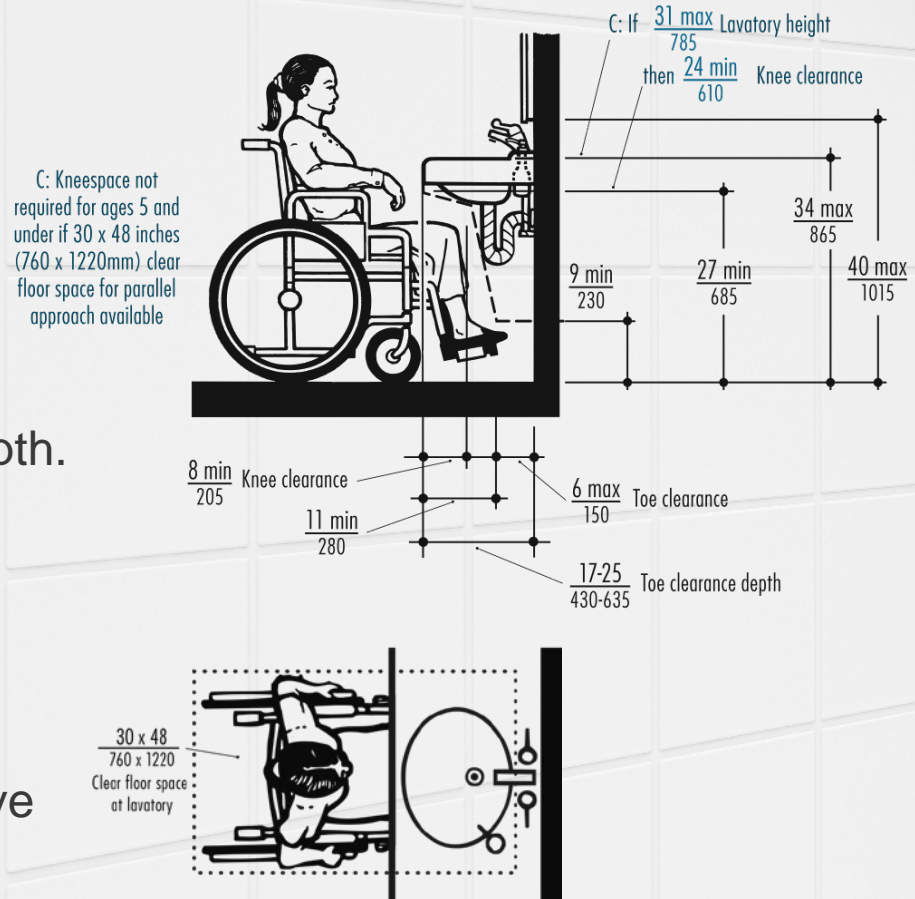
## Special Considerations for Lavatories

- Place lavatory as close as possible to front edge of countertop.
- 34" max above finish floor
- Knee clearance of 27" min. from bottom of apron to finish floor.
- Knee clearance must extend 8" min. under front edge of lavatory.



# Special Considerations for Lavatories

- Clear floor space in front and under lavatory:
  - 30" wide by 48" deep min.
  - Toe clearance 17" min. to 25" max.
  - Toe clearance at least 9" above finish floor for full depth.
- Water supply, drain pipes and exposed surfaces:
  - Insulated to protect against contact
  - Install removable protective panel under lavatory.





# Controls & Operating Mechanisms

## Operable parts:

- Push buttons
- Valves
- Knobs
- Levers
- Controls must be operable with one hand, without tight grasping, pinching of the fingers, or twisting of wrist and require less than 5 lbs. of force.
- Controls centered over sufficient clear floor space for both left- and right-hand approaches.



## Bobrick Accessories to Meet ADA Control & Operability Requirements



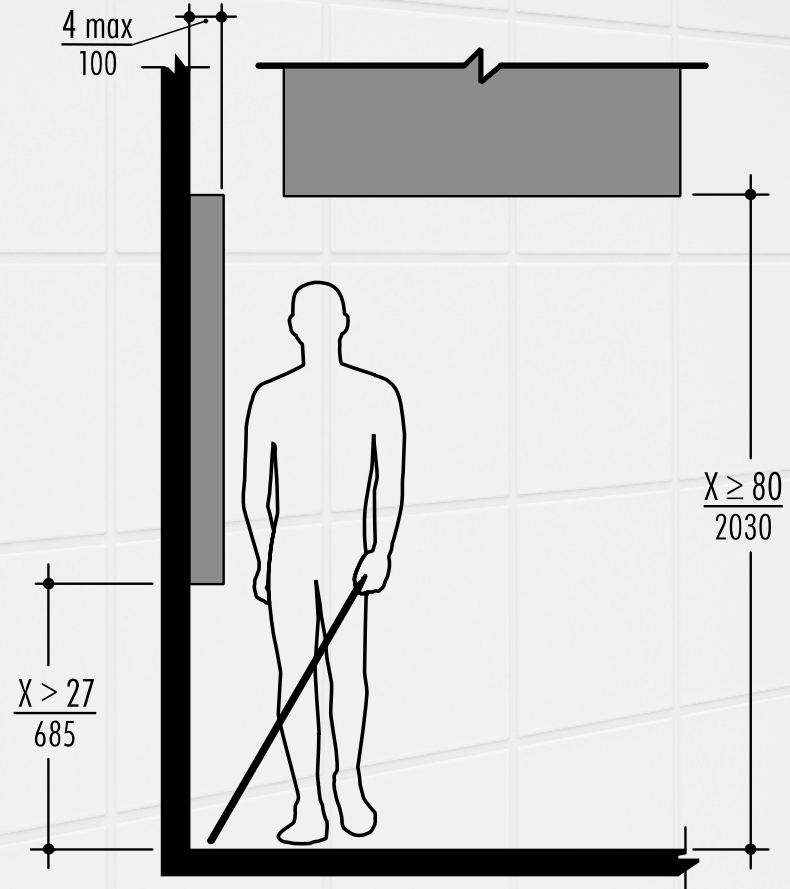
## Soap Dispensers

- Soap dispenser mounting height is 44" max. above finish floor.
- Space lavatory-mounted soap dispensers and lever-handle faucets apart to avoid interference with their operations.



## Accessory Leading Edges

- Limit protrusion to 4" maximum between 27" to 80" above floor.
  - Ensures detection by a cane.
- Locate units protruding more than 4" in corners, alcoves or between structural elements.
- Use fully recessed accessories to eliminate protrusion from wall compliance issues and ensure accessibility.



## Bobrick Accessories to Meet ADA Leading Edges Requirements



B-3725



B-7125



B-3706

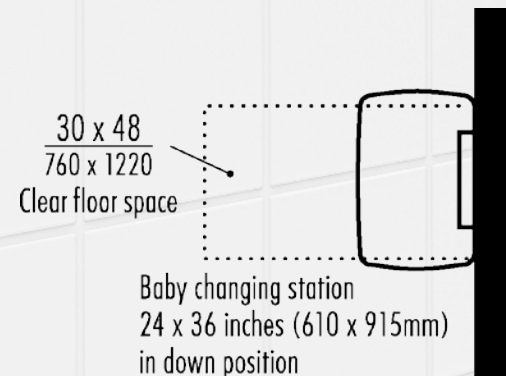
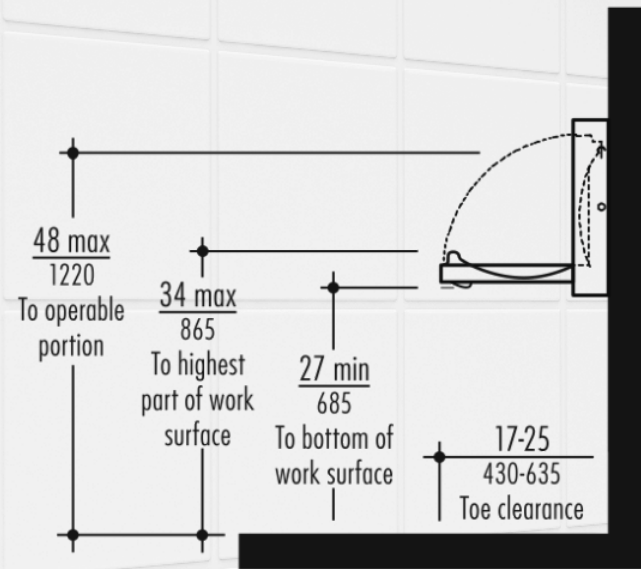
## Paper Towel, Waste Receptacle & Hand Dryer

- Locate in an area that is accessible to people using wheelchairs, preferably adjacent to an accessible lavatory.
- Install towel dispenser/waste receptacle unit with the paper towel dispenser opening, the operable part, 48" above floor.
- Install hand dryers with start button, or sensor, the operable part, 44" maximum above floor.



# Baby Changing Stations

- Increasingly found in men's, women's and family restrooms.
- Not mandatory but widely regarded as important or essential feature in many facilities.
- Locate to provide for needs of users but not prevent other patrons (including those in wheelchairs) access to fixtures and dispensers in restroom.
- Position baby changing stations in corners or add screens on open sides that extend below 27" above floor for the full depth of the open changing bed.



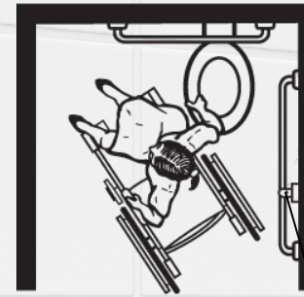
## Baby Changing Stations From Koala Kare Products



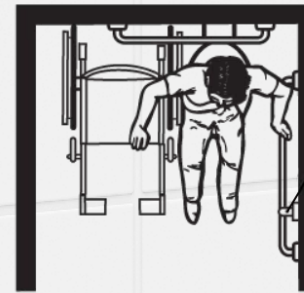


# Accessible Toilet Compartments

- Required in all public restrooms.
- Two basic toilet compartment designs:
  - Wheelchair Accessible Toilet Compartment
    - Accommodates people who use wheelchairs
  - Ambulatory Accessible Toilet Compartment
    - Accommodates people who use canes, crutches, or walkers
- Three common transfer positions onto a toilet:
  - Diagonal
  - Side
  - Perpendicular

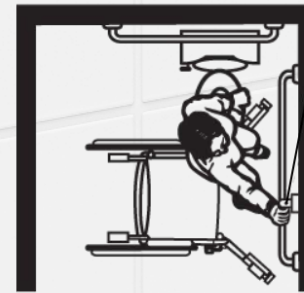


Reverse Diagonal Approach



Vertical grab bars 18 inches (455mm) long (ICC/ANSI)

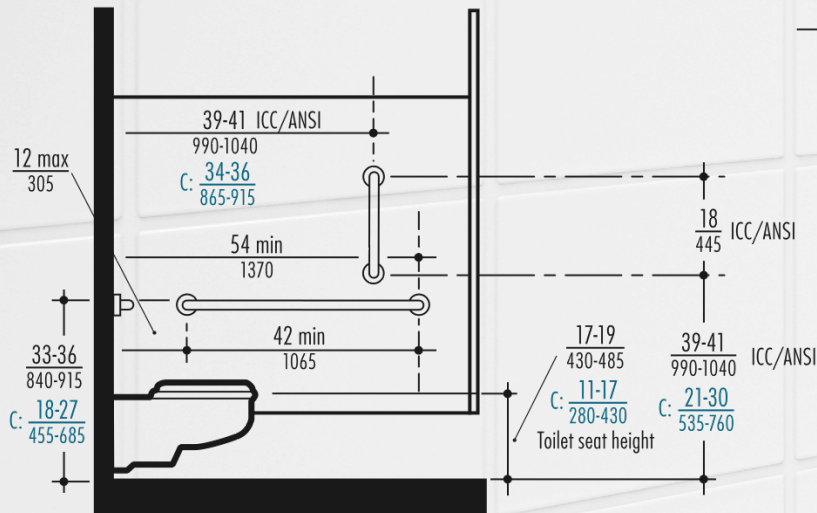
Side Approach



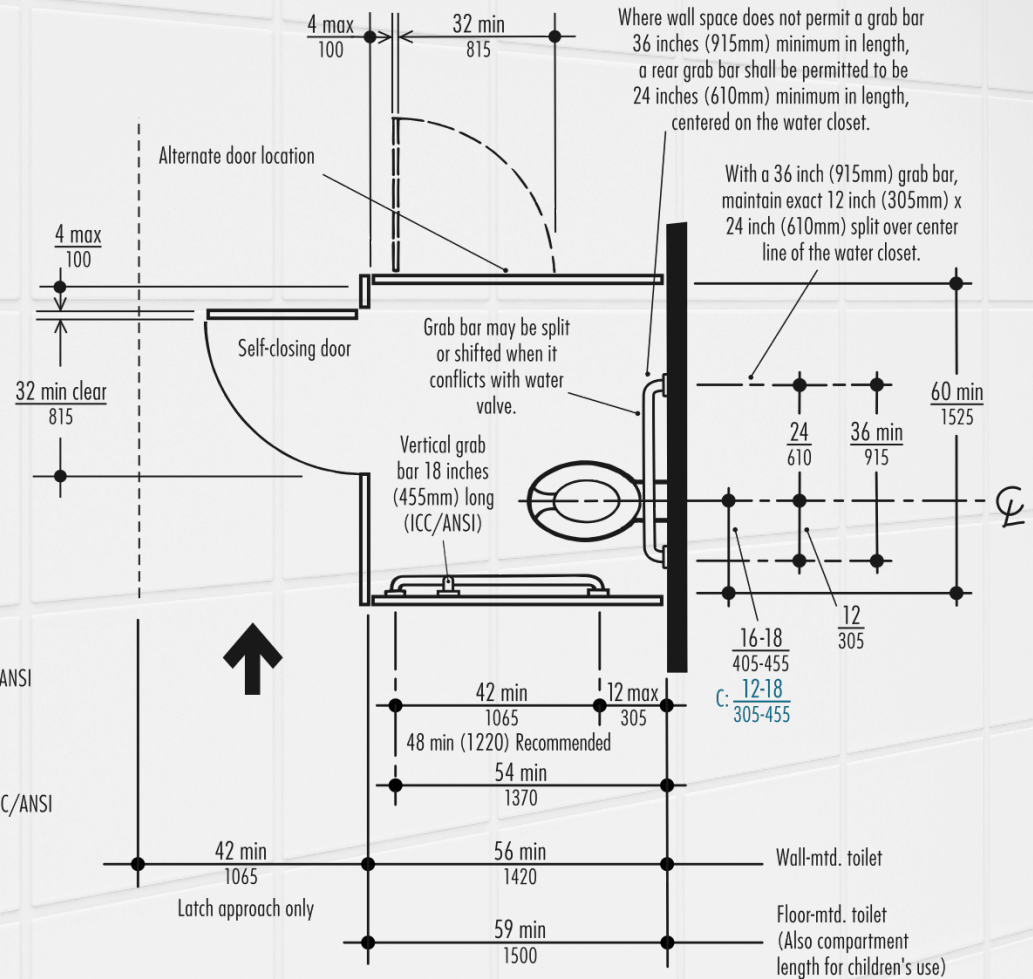
Perpendicular Transfer

# Wheelchair Accessible Toilet Compartment

- Check local codes; some jurisdictions have different requirements for wheelchair accessible toilet compartment size and configuration.

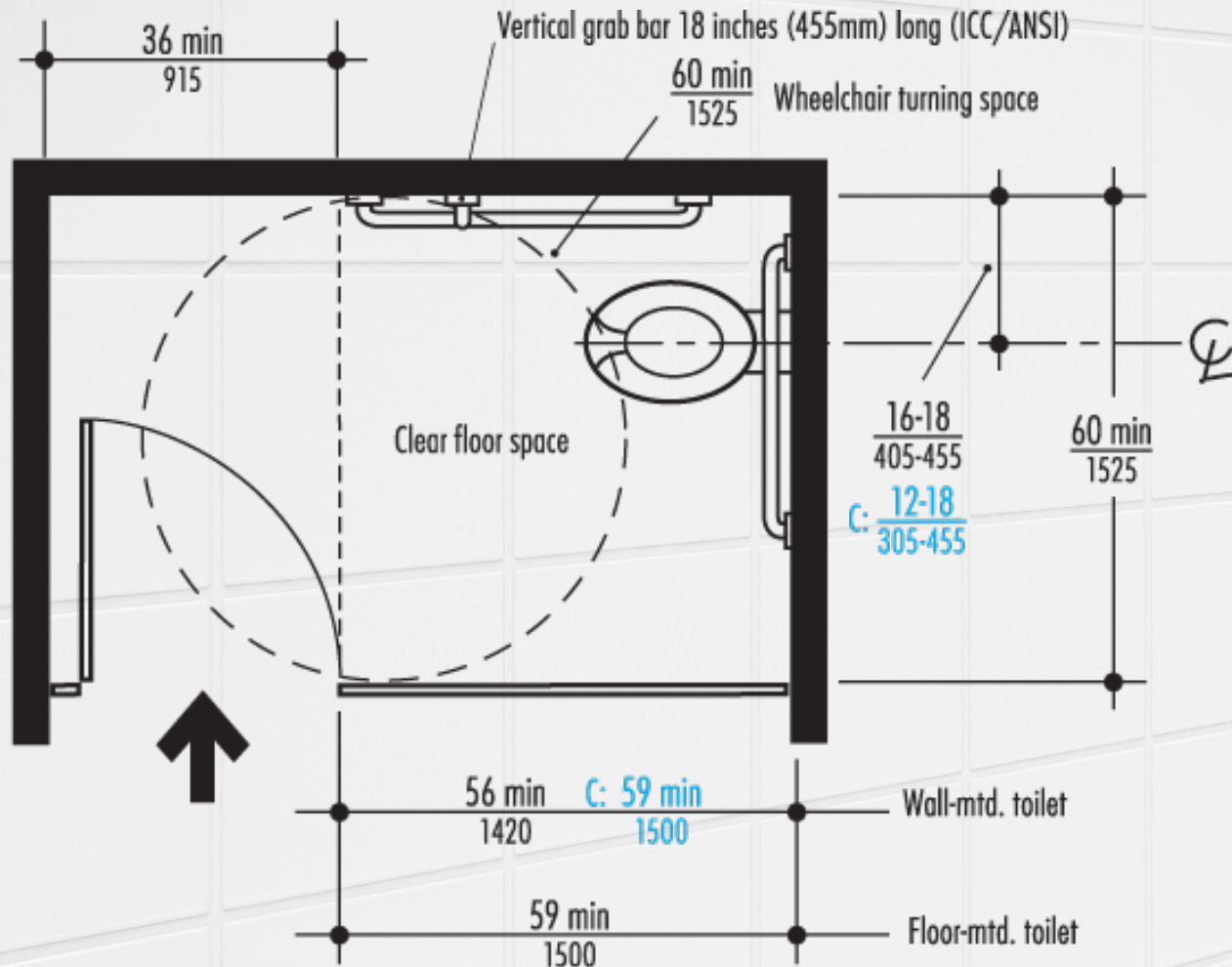


Grab Bar Locations



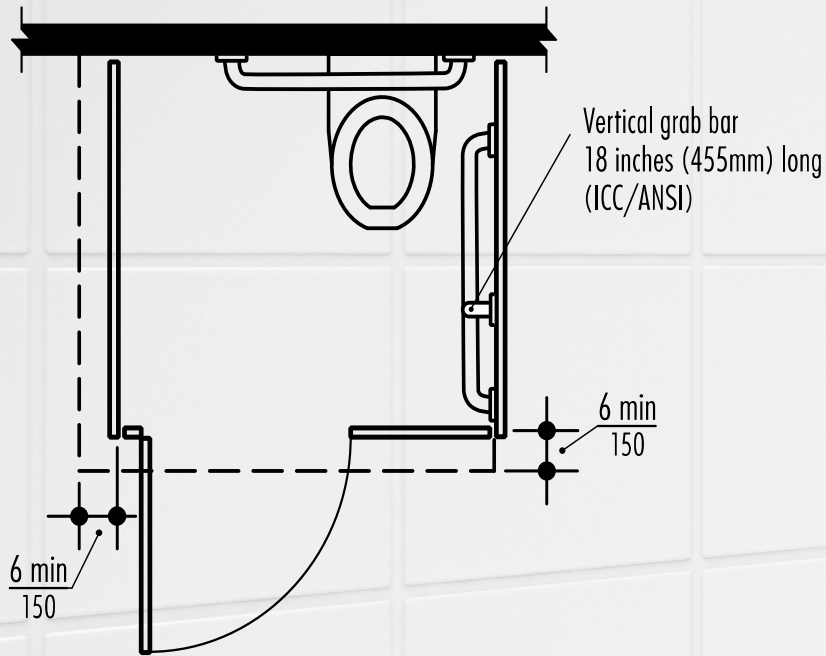
Wheelchair Accessible Toilet Compartment

# Large Wheelchair Accessible, Side Door Access

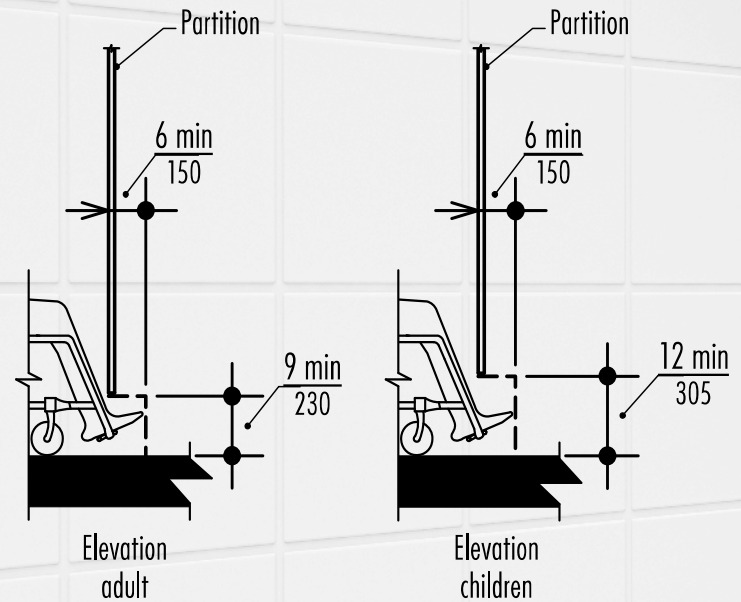




# Toe Clearance



Horizontal Toe Clearance



Vertical Toe Clearance

- Front toe clearance not required if compartment depth is greater than 62" deep with a wall-hung toilet or 65" deep with a floor-mounted toilet.
- Side toe clearance not required in compartments greater than 66" wide.

## Doors

- All accessible toilet compartment doors must include door pull hardware and self-closer.

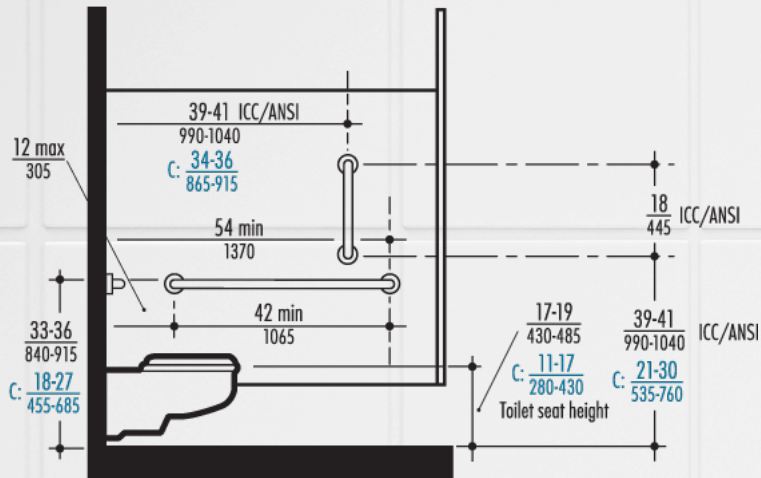


View from Outside an End-of-Room Toilet Compartment

- All out-swinging doors should close completely so as not to encroach into required maneuvering clearances and impede access.



# Grab Bars Required in All Compartments



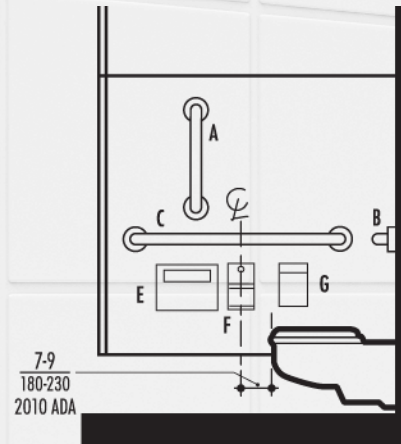
Grab Bar Locations

- Use a 48" long side wall grab bar to eliminate installation compliance problems.

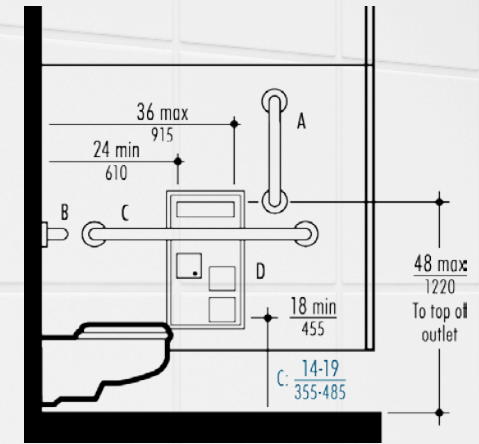


## Accessories Complete Specification

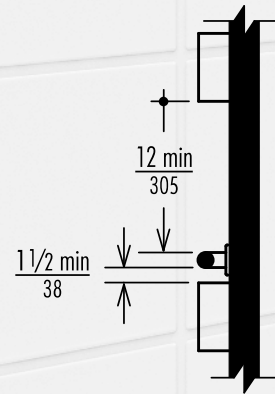
- All accessories must be located on a side wall or partition, nearest toilet in accessible compartments and just in front of leading edge of toilet.
- No accessory should interfere with maneuvering space or access to grab bars.
- ICC A117.1 includes an Exception allowing recessed units behind grab bars with less than 1-½" absolute grab bar wall clearance as an alternative to the 2010 ADA requirement.



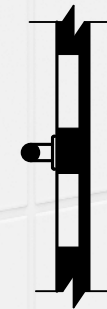
Surface Mounted Dispensers



Recessed Dispensers



Protruding Objects Mounted Near Grab Bars



Recessed Objects Mounted Near Grab Bars



## Toilet Tissue Dispensers

- Roll toilet dispensers that allow continuous paper flow are required.
- 2010 ADA Standards – 7" to 9" in front of toilet
- 2009 ICC/ANSI Standards – 24" to 42" from rear wall



## Dispensers & Disposals

- Sanitary napkin disposals and toilet seat cover dispensers are recommended
- Recessed combination units organize and unify installations:
  - Toilet tissue dispensers
  - Toilet seat-cover dispensers
  - Sanitary napkin disposals



**Thank you for your interest in this Planning Guide for  
Accessible Restrooms.**

**Please contact Bobrick Washroom Equipment, Inc. If you  
have questions related to the information presented  
within this program.**

**<https://bobrick.com.mx>  
WhatsApp: 55 56053214**



**BUILDING VALUE SINCE 1906**